

# COLUMN SPEAKER

# TZ-301


Please follow the instructions in this manual to obtain the optimum results from this unit.  
We also recommend that you keep this manual handy for future reference.


### ■ SAFETY PRECAUTIONS

- Be sure to read the instructions in this section carefully before use.
- Make sure to observe the instructions in this manual as the conventions of safety symbols and messages regarded as very important precautions are included.
- We also recommend you keep this instruction manual handy for future reference.

#### Safety Symbol and Message Conventions

Safety symbols and messages described below are used in this manual to prevent bodily injury and property damage which could result from mishandling. Before operating your product, read this manual first so you are thoroughly aware of the potential safety hazards as well as understand the safety symbols and messages.

 **WARNING** Indicates a potentially hazardous situation which, if mishandled, could result in death or serious personal injury.

 **CAUTION** Indicates a potentially hazardous situation which, if mishandled, could result in moderate or minor personal injury, and/or property damage.

 **WARNING**

#### When Installing the Unit

- Install the speaker only in a location that can structurally support the weight of the speaker and the mounting bracket. Doing otherwise may result in the speaker falling down and causing personal injury and/or property damage.

 **CAUTION**

#### When Installing the Unit

- When unpacking or moving a heavy speaker, be sure to

handle the unit with two or more persons. Falling or dropping the speaker may cause personal injury and/or property damage.

#### When the Unit is in Use

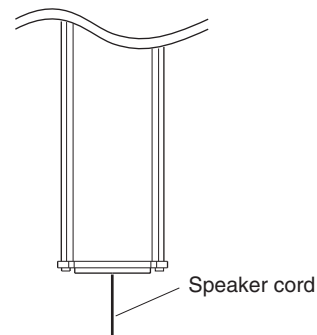
- Do not place heavy objects on the speaker as this may cause it to fall or break which may result in personal injury and/or property damage. In addition, the object itself may fall off and cause injury and/or damage.
- Do not stand or sit on, nor hang down from the speaker as this may cause it to fall down or drop, resulting in personal injury and/or property damage.
- Do not operate the speaker for an extended period of time with the sound distorting. This is an indication of a malfunction, which in turn can cause heat to generate and result in a fire.

### ■ FEATURES

TOA's TZ-301 Column Speaker features a linear, vertical arrangement of six identical small-diameter cone speakers that provide narrow sound dispersion along a vertical axis, and wide sound dispersion along a horizontal axis.

### ■ INSTALLATION PRECAUTIONS

This column speaker features a drain hole built into same panel that holds the speaker cord. For proper drainage, during installation please ensure that this panel faces down toward the ground.



Correct installation

Fig.1

## ■ INSTALLATION

1. Mount the supplied top and bottom mounting brackets to the mounting surface as shown in Fig. 2.  
**Note:** No hardware has been provided for installation of the mounting brackets. Therefore, please prepare the necessary nuts, bolts and washers before beginning installation.
2. Using the supplied hexagon bolt, washer, and mounting gasket, fix the speaker to the top bracket as shown in Fig. 3.
3. Similarly, fix the speaker to the bottom bracket.

**Tips:** When tilting the speaker, contact the shop from where the unit was purchased or your nearest TOA sales office. Installation hardware for this purpose is made available.

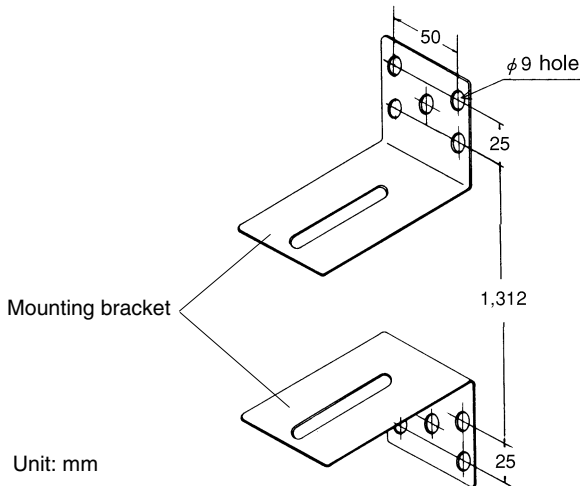


Fig.2

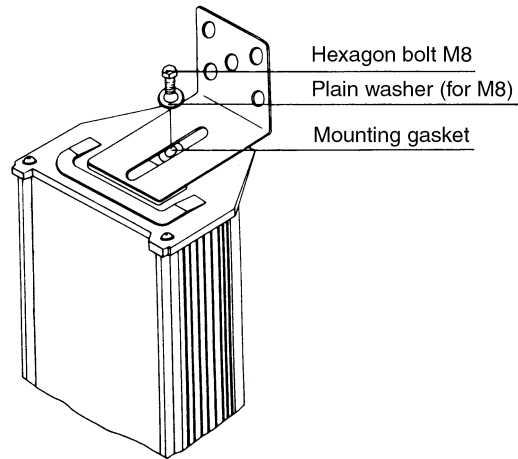


Fig.3

## ■ CONNECTIONS

When using two or more speakers on 100 V or 70 V line, connect them in parallel matching their polarities referring to the table on the right.

In this case, make the speakers' total wattage equal to or less than the power output of the connected amplifier.

Line		100 V line		70 V line	
Rated input		30 W	15 W	15 W	7.5 W
Impedance		330 Ω	670 Ω	330 Ω	670 Ω
Cord color coding	HOT	White	Blue	White	Blue
	COM	Black	Black	Black	Black

## ■ SPECIFICATIONS

Rated Input	30 W
Rated Impedance	330 Ω (30 W), 670 Ω (15 W) for 100 V line 330 Ω (15 W), 670 Ω (7.5 W) for 70 V line
Output Sound Pressure Level	100 dB (1 W, 1 m)
Frequency Characteristics	150 – 10,000 Hz
Internal Speaker	12.8 cm x 17.8 cm dynamic speaker (6 pieces)
Finish	Enclosure: Aluminum, silver gray, paint Punched Grille: Aluminum, black, matte-paint
Dimensions	167 (w) x 1,256 (h) x 141 (d) mm
Weight	12.2 kg (Speaker only)

**Note:** The design and specifications are subject to change without notice for improvement.

### • Accessories

Mounting bracket .....	2
Mounting gasket .....	2
Hexagon bolt M8 .....	2
Plain washer (for M8) .....	2

