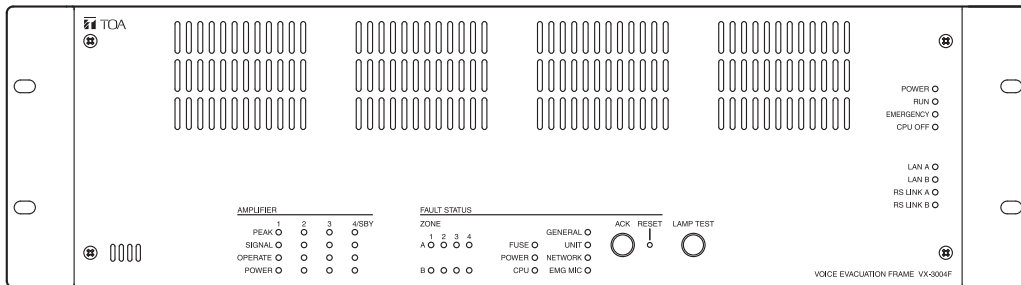





PLEASE READ THIS MANUAL FIRST!

INTEGRATED VOICE EVACUATION SYSTEM VX-3000 SERIES

Thank you for purchasing TOA's Integrated Voice Evacuation System.
Please carefully follow the instructions in this manual to ensure long, trouble-free use of your equipment.



 1134
<p>TOA Electronics Europe GmbH Suederstrasse 282, 20537 Hamburg, Germany 1134-CPR-195 16 DOP 16-004</p>
<p>EN 54-16: 2008 Fire Detection and fire alarm systems - part 16: Voice alarm control and indication system for fire detection and fire alarm systems for buildings</p> <p>Options: Manual silencing of voice alarm condition manual reset of voice alarm condition voice alarm condition output indication of a fault related to voice alarm zones voice alarm manual control emergency microphones redundant power amplifiers</p>

When an EN 54-16 compliant VX-3000 system has to be installed, then carefully read the separate manual titled "APPENDIX: ADDITIONAL INSTALLATION INSTRUCTIONS FOR AN EN 54-16 COMPLIANT SYSTEM" and follow up the installation and configuration requirements explained therein. This APPENDIX contains the basic description of settings and installations, so please refer to the general instruction sections in this document for more details.

TABLE OF CONTENTS

1. SAFETY PRECAUTIONS	3
2. PARTS INCLUDED WITH THE PACKAGE	5
3. COMPOSITION OF THE VX-3000 INSTRUCTION MANUAL ...	5
4. GENERAL DESCRIPTION	6
5. SYSTEM FEATURES	6
6. SYSTEM EXAMPLE	6
7. AFFIXING DECLARATION OF COMPLIANCE (EN 54-16 STANDARD)	7

1. SAFETY PRECAUTIONS

- Before installation or use, be sure to carefully read all the instructions in this section for correct and safe operation.
- Be sure to follow all the precautionary instructions in this section, which contain important warnings and/or cautions regarding safety.
- After reading, keep this manual handy for future reference.

Safety Symbol and Message Conventions

Safety symbols and messages described below are used in this manual to prevent bodily injury and property damage which could result from mishandling. Before operating your product, read this manual first and understand the safety symbols and messages so you are thoroughly aware of the potential safety hazards.



WARNING

Indicates a potentially hazardous situation which, if mishandled, could result in death or serious personal injury.



CAUTION

Indicates a potentially hazardous situation which, if mishandled, could result in moderate or minor personal injury, and/or property damage.



WARNING

When Installing the Unit

- (Except VX-300LO)
Do not expose the unit to rain or an environment where it may be splashed by water or other liquids, as doing so may result in fire or electric shock.
- (Applicable to VX-3004F, VX-3008F, VX-3016F, VX-015DA, VX-030DA, VX-050DA, VX-3000PM, VX-3000CT, RM-200SF, RM-300X, VX-3000DS, and VX-3150DS only)
Use the unit only with the voltage specified on the unit. Using a voltage higher than that which is specified may result in fire or electric shock.
- (Applicable to VX-3000DS and VX-3150DS only)
Do not cut, kink, otherwise damage nor modify the power supply cord. In addition, avoid using the power cord in close proximity to heaters, and never place heavy objects -- including the unit itself -- on the power cord, as doing so may result in fire or electric shock.
- (Applicable to RM-200SF, RM-300X, RM-320F, and RM-210F only)
Avoid installing or mounting the unit in unstable locations, such as on a rickety table or a slanted surface. Doing so may result in the unit falling down and causing personal injury and/or property damage.
- (Applicable to RM-200SF, RM-300X, RM-320F, and RM-210F only)
Install the unit only in a location that can structurally support the weight of the unit and the mounting bracket. Doing otherwise may result in the unit falling down and causing personal injury and/or

property damage.

- Since the unit is designed for indoor use, do not install it outdoors. If installed outdoors, the aging of parts causes the unit to fall off, resulting in personal injury. Also, when it gets wet with rain, there is a danger of electric shock.

When the Unit is in Use

- Should the following irregularity be found during use, immediately switch off the power, disconnect the power supply plug from the AC outlet and contact your nearest TOA dealer. Make no further attempt to operate the unit in this condition as this may cause fire or electric shock.
 - If you detect smoke or a strange smell coming from the unit
 - If water or any metallic object gets into the unit
 - If the unit falls, or the unit case breaks
 - (Applicable to VX-3000DS and VX-3150DS only)
If the power supply cord is damaged (exposure of the core, disconnection, etc.)
 - If it is malfunctioning (no tone sounds)
- To prevent a fire or electric shock, never open nor remove the unit case as there are high voltage components inside the unit.
(Applicable to VX-3004F, VX-3008F, VX-3016F, RM-200SF, RM-300X, VX-3000DS, and VX-3150DS only)
Refer all servicing to qualified service personnel.
- Do not place cups, bowls, or other containers of liquid or metallic objects on top of the unit. If they accidentally spill into the unit, this may cause a fire or electric shock.

- (Applicable to VX-3004F, VX-3008F, VX-3016F, VX-015DA, VX-030DA, VX-050DA, VX-3000DS, and VX-3150DS only)
Do not insert nor drop metallic objects or flammable materials in the ventilation slots of the unit's cover, as this may result in fire or electric shock.
- (Applicable to VX-3000DS and VX-3150DS only)
Do not touch a power supply plug during thunder and lightning, as this may result in electric shock.
- When replacing the fuse, be sure to use the supplied one. Using any other fuse than supplied may cause fire or electric shock.
VX-015DA: Blade 10 A
VX-030DA: Blade 20 A
VX-050DA: Blade 30 A
VX-3000DS: AC T8A H, AC T6.3A L, and Blade 35 A
VX-3150DS: AC T8A H, AC T6.3A L, and Blade 35 A
- Be sure to switch off the amplifier's power when replacing the fuse.
Inserting or removing the fuse with the amplifier's power on may cause personal injury.
- (Applicable to VX-3000DS and VX-3150DS only)
Handle or use the batteries properly.
Doing otherwise may cause leakage or explosion of the batteries, resulting in a fire, personal injury, damage to peripheral equipment, or contamination of environment.

CAUTION

When Installing the Unit

- (Applicable to VX-3000DS and VX-3150DS only)
Never plug in nor remove the power supply plug with wet hands, as doing so may cause electric shock.
- (Applicable to VX-3000DS and VX-3150DS only)
When unplugging the power supply cord, be sure to grasp the power supply plug; never pull on the cord itself. Operating the unit with a damaged power supply cord may cause a fire or electric shock.
- (Applicable to VX-3004F, VX-3008F, VX-3016F, VX-015DA, VX-030DA, VX-050DA, VX-3000DS and VX-3150DS only)
Do not block the ventilation slots in the unit's cover. Doing so may cause heat to build up inside the unit and result in fire.
(Applicable to VX-015DA, VX-030DA, and VX-050DA only)
Also, periodically clean the ventilation slots of dust.
- Avoid installing the unit in humid or dusty locations, in locations exposed to the direct sunlight, near the heaters, or in locations generating sooty smoke

or steam as doing otherwise may result in fire or electric shock.

- (Applicable to VX-3004F, VX-3008F, VX-3016F, VX-015DA, VX-030DA, VX-050DA, VX-3000PM, VX-3000CT, RM-200SF, RM-300X, VX-3000DS, and VX-3150DS only)
Note correct polarity (positive and negative orientation) when connecting the power supply cord. Reversed polarity connections will cause damage to the unit.
 - (Applicable to VX-015DA, VX-030DA, and VX-050DA only)
To avoid electric shocks, be sure to switch off the VX-3000F's power when connecting the unit.
 - (Applicable to VX-3004F, VX-3008F, VX-3016F, VX-3000PM, VX-3000CT, VX-3000DS and VX-3150DS only)
System units (except remote microphones) are designed exclusively to be mounted in an equipment rack. Be sure observe the following instructions when rack-mounting the unit. Failure to do so may cause a fire or personal injury.
 - Install the equipment rack on a stable, hard floor. Fix it with anchor bolts or take other arrangements to prevent it from falling down.
 - (Applicable to VX-3004F, VX-3008F, VX-3016F, VX-3000PM, and VX-3000CT only)
The supplied rack-mounting screws can be used for the TOA equipment rack only. Do not use them for other racks.
 - (Applicable to VX-3000DS and VX-3150DS only)
Rack-mounting screws are not supplied with the unit. Prepare them that are appropriate for the equipment rack.
 - (Applicable to VX-3000DS and VX-3150DS only)
When connecting the unit's power cord to an AC outlet, use the AC outlet with current capacity allowable to the unit.
 - (Applicable to VX-3000DS and VX-3150DS only)
When connecting multiple appliances to a single power socket through a multi-outlet power strip, a total current consumption of the appliances must not exceed the allowable current capacity of the power socket.
Failure to observe this instruction may result in a fire or electric shock.
 - (Applicable to VX-3000DS and VX-3150DS only)
When 2 or more AC power cords are connected to a multi-outlet power strip, never remove the power strip from a power source.
- ### When the Unit is in Use
- (Applicable to VX-3004F, VX-3008F, VX-3016F, VX-015DA, VX-030DA, VX-050DA, and VX-3000PM only)
Do not operate the unit for an extended period of

time with the sound distorting. Doing so may cause the connected speakers to heat, resulting in a fire.

- (Applicable to RM-200SF and RM-300X only)
Use the specified AC adapter for the unit. Note that the use of other adapter may cause a fire.
- (Applicable to VX-015DA, VX-030DA, and VX-050DA only)
Contact your TOA dealer as to the cleaning. If dust is allowed to accumulate in the unit over a long period of time, a fire or damage to the unit may result.
- (Applicable to VX-3000DS and VX-3150DS only)
Make sure to observe the following handling precautions so that a fire or personal injury does not result from leakage or explosion of the battery.
 - Do not short, disassemble, heat nor put the battery into a fire.

- Avoid using both new and old batteries together.
- Never charge batteries of the type which are not rechargeable.
- Do not solder a battery directly.
- Be sure to use the specified type of batteries.
- Note correct polarity (positive and negative orientation) when connecting a battery to the unit.
- Avoid locations exposed to the direct sunlight, high temperature and high humidity when storing batteries.
- (Applicable to RM-200SF, RM-300X, RM-320F, and RM-210F only)
Have the unit checked periodically by the shop from where it was purchased. Failure to do so may result in corrosion or damage to the unit or its mounting bracket that could cause the unit to fall, possibly causing personal injury.

Warning: This equipment is compliant with Class A of CISPR 32. In a residential environment this equipment may cause radio interference.

2. PARTS INCLUDED WITH THE PACKAGE

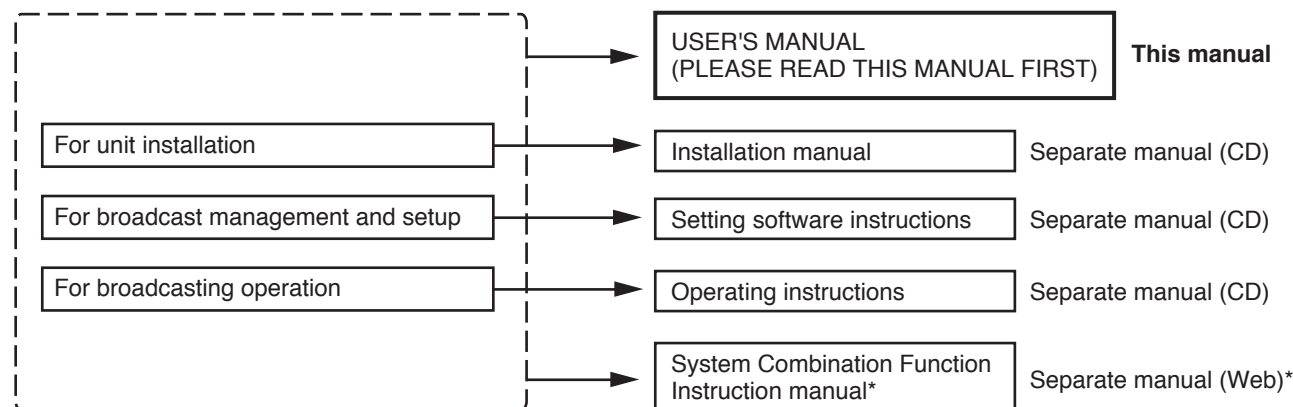
Check to be sure that all the following components are included with the unit.

Accessory	VX-3004F	VX-3008F	VX-3016F
CD (PC setting software)	1	1	1
Removable terminal plug (2 pins)	2	6	4
Removable terminal plug (4 pins)	1	1	1
Removable terminal plug (6 pins)	2	2	2
Removable terminal plug (12 pins)	2	2	4
Removable terminal plug (17 pins)	1	1	2
Ferrite cable clamp	2	2	2
Rack mounting screw 5 x 12	4	4	4

3. COMPOSITION OF THE VX-3000 INSTRUCTION MANUAL

The VX-3000 system Instruction manual is divided into 4 parts.

Please read the proper manual for your purpose.



* Required only when using the System combination function

Download the latest version from the TOA product data download site (<https://www.toa-products.com/international/>).

4. GENERAL DESCRIPTION

The TOA VX-3000 Series broadcast system is designed for both general and emergency purpose broadcasts. It is comprised of the Voice Evacuation Main Frame, Digital Power Amplifiers, Line Output Module, Preamp Matrix Panel, Control Panel, Power Supply unit, Emergency Power Supply, and a user-specified number of Remote Microphones.

The VX-3000 system allows 3 types of broadcasts to be made: General-purpose broadcast such as general paging and BGM, Emergency broadcast that the emergency messages are to be broadcast by an automatic announcement device or remote microphone, All-zone emergency broadcast* that is to be made available even during system malfunctions or failures.

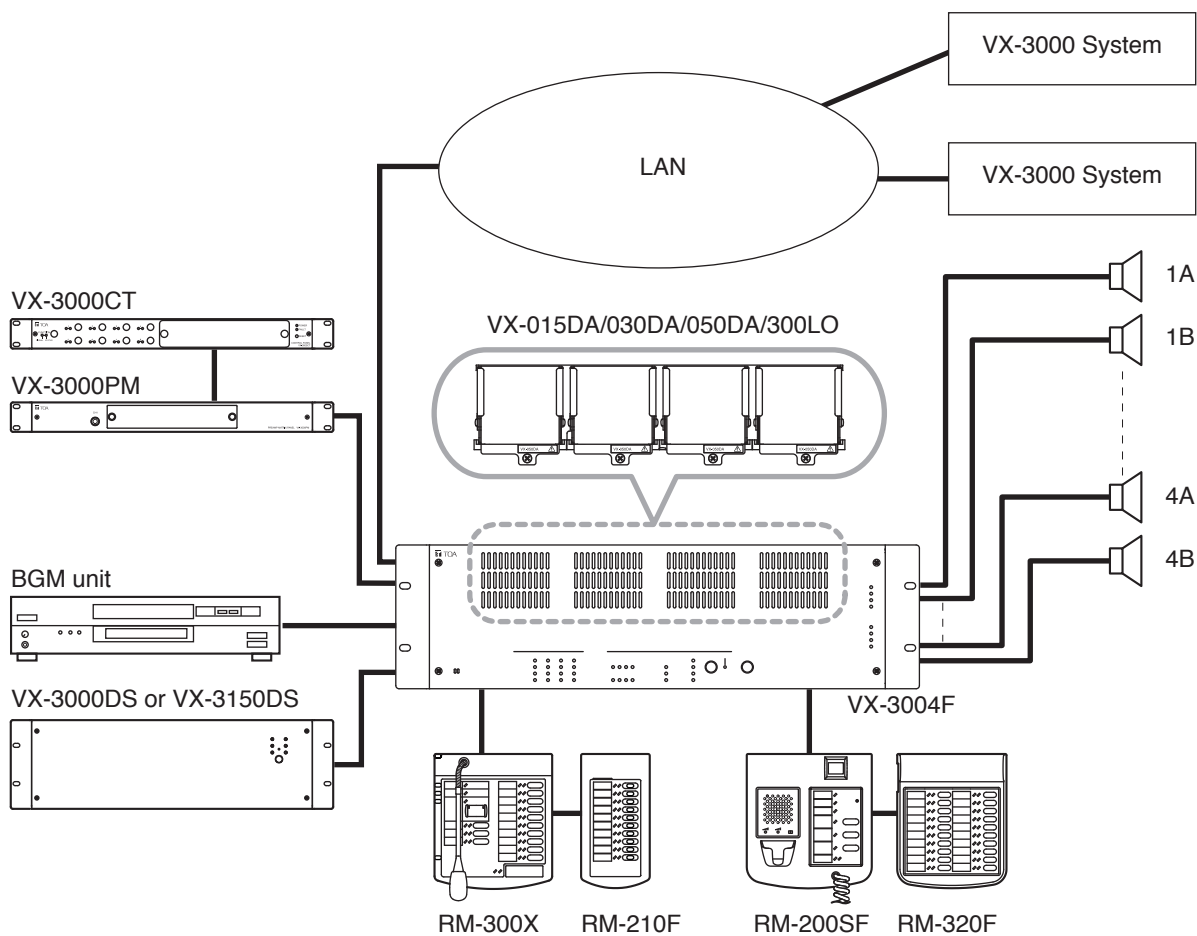
The dedicated software is used to perform all necessary settings related to the entire system operation and functions including system configurations, input-to-output signal routing, function assignment to the operation keys, operation of the control terminals, and selection of the failure detection points.

* Available when an analog link is connected.

5. SYSTEM FEATURES

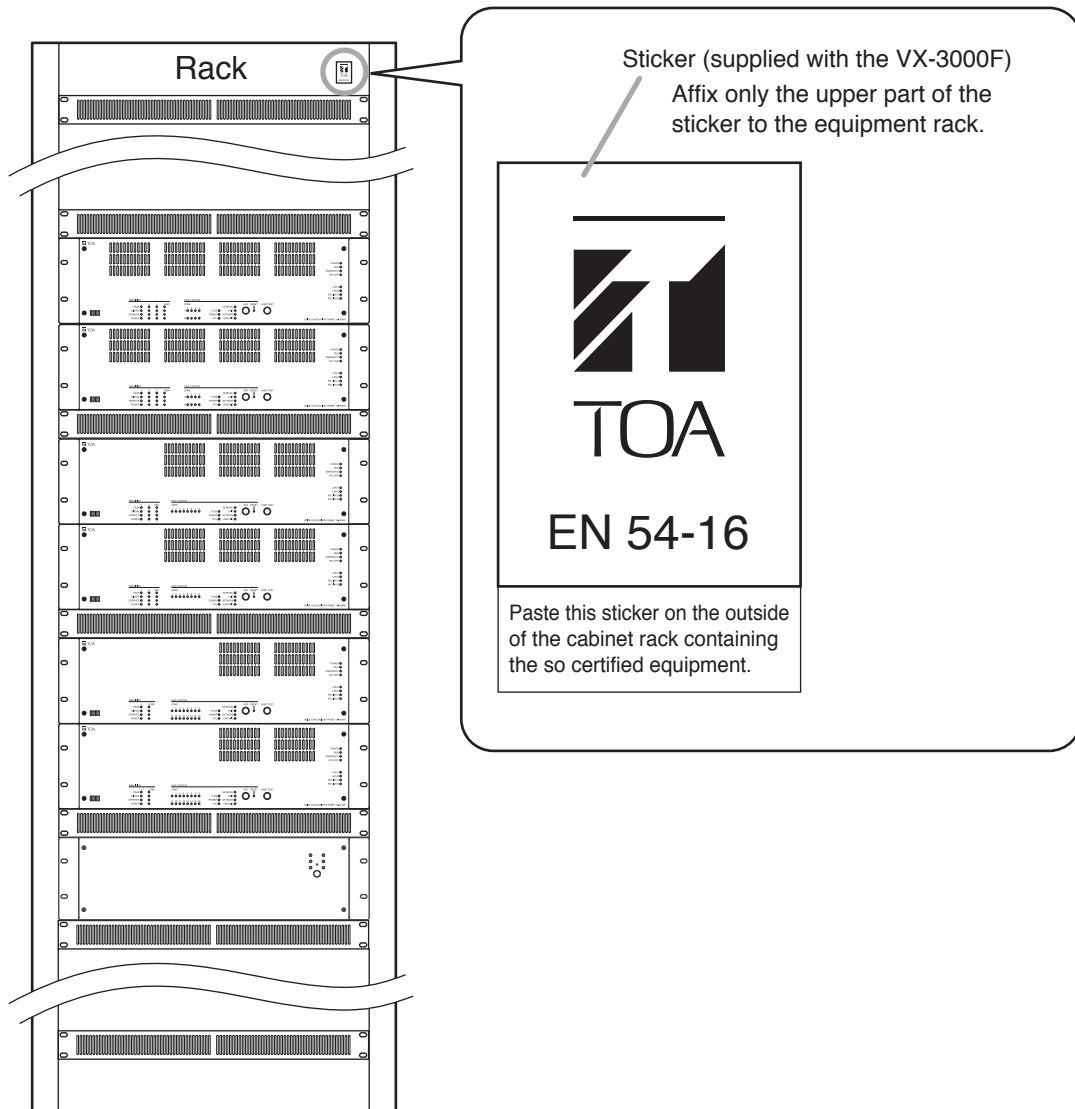
- VX-3000 system is a voice evacuation system.
- Decentralized configuration is possible via network.
- VX-3000 system is constructed up to 160 AB zones or 640 zones as system.
- Speaker Selector function is implemented, then VX-3000 system is able to cover many zones.
- A general broadcast for a sound quality regulating function is possible to digitalize all sound.
- A general broadcasting is possible by latitude setting of control input/output and priorities.

6. SYSTEM EXAMPLE



7. AFFIXING DECLARATION OF COMPLIANCE (EN 54-16 STANDARD)

To declare that the VX-3000F complies with EN 54-16, affix the sticker supplied with the VX-3000F visible to the front panel of the equipment (e.g. at the upper right side as shown below).



VX-3004F, VX-3008F, and VX-3016F are collectively referred to as "VX-3000F."

Traceability Information for Europe

Manufacturer:
TOA Corporation
7-2-1, Minatojima-Nakamachi, Chuo-ku, Kobe, Hyogo,
Japan

Authorized representative:
TOA Electronics Europe GmbH
Suederstrasse 282, 20537 Hamburg,
Germany